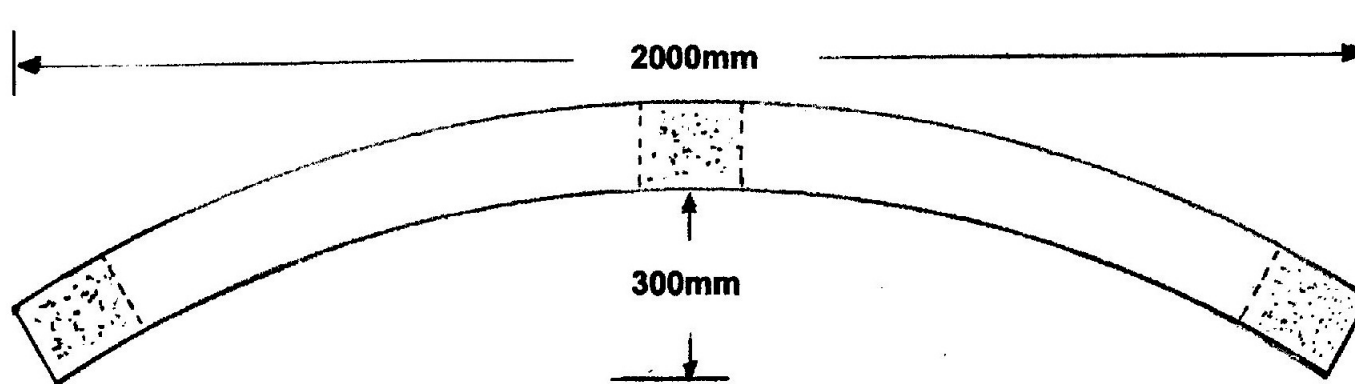
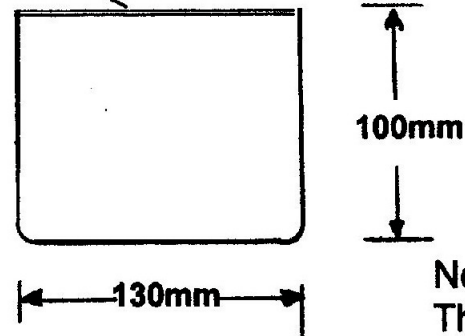


GRP CURVED BAR Number MFC3

Softwood blocks bonded to inside of laminate at the centre and ends of the bar



6mm plywood is fitted to the rear side of the bars and then overlaminated with GRP



Notes:

This curved bar can be manufactured at any length up to a maximum of 2000mm, which is the mould length.

The mould for this bar is 100mm deep, however bars can be produced at any depth from 50mm to 100mm

Man Friday (South West) Ltd

5 Marsh End, Lords Meadow,
Credon, Devon, EX17 1DN

E-mail: info@manfriday.co.uk
Web: www.manfriday.co.uk

Tel 01363 776622